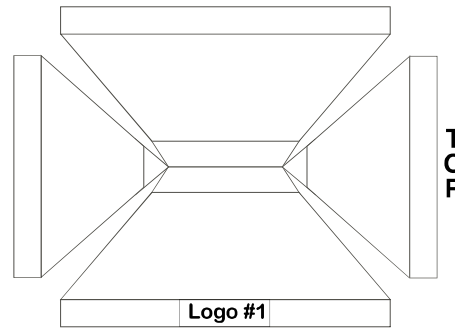
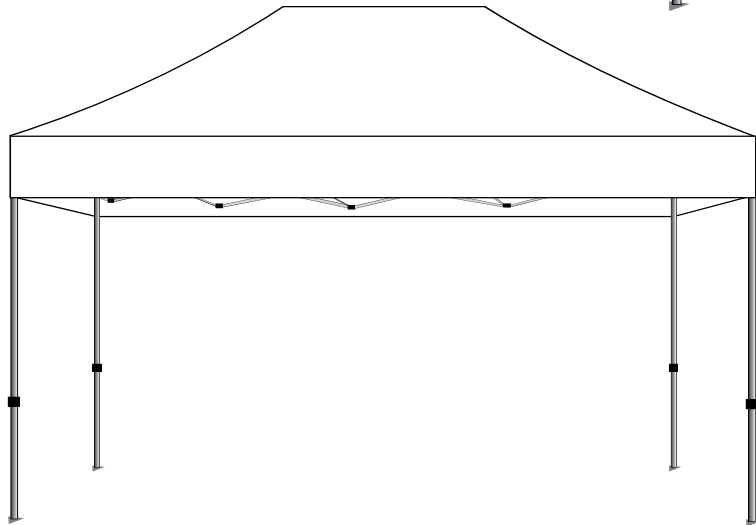
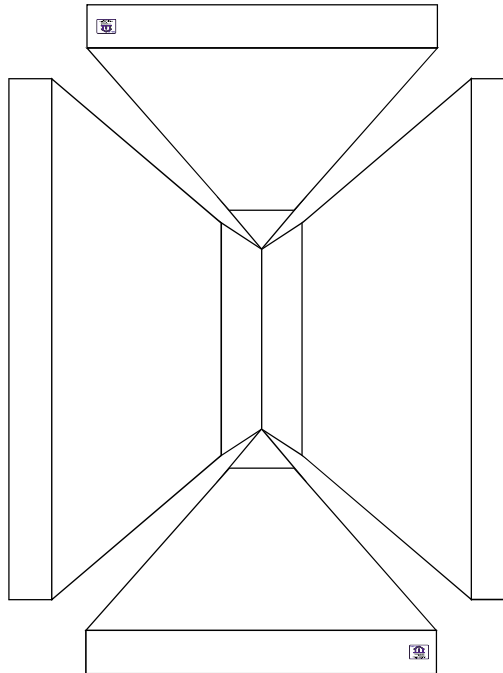




**CL FRAME
SIZE 10' X 15'**



TOP



Job:
Sales Rep:
Date:
Revision:
LOGOS & COLOR(S) PANTONE(S)

Logo 1:
Logo 2:
Logo 3:

FABRIC

Peak(s):
Valance(s):
Back Wall(s):
Rail Skirt(s):
Bias: Red

- | | | | | |
|------------------------|---------------------|---|-----|---|
| Artwork | Good | ■ | Bad | □ |
| Logos to be verified | Yes | ■ | No | □ |
| Colors to be verified | Yes | ■ | No | □ |
| Horizontal Velcro Loop | Yes | ■ | No | □ |
| Pole Pocket | Yes | □ | No | ■ |
| Patch Info | Impact Valance | | ■ | |
| | Impact Under Corner | | □ | |
| | None | | □ | |
| | Other | | □ | |

Special Instructions

Please review rendering carefully. If there are no changes needed, please approve by signing and return to Impact Canopies USA via fax or e-mail. Once approved by customer, Impact Canopies USA is no longer responsible for any changes made without approval.

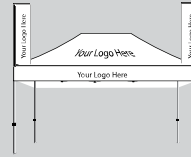
RENDERING NOT TO SCALE

Order(s) will be scheduled for production only when proofs have been approved and returned to us with required signature below.

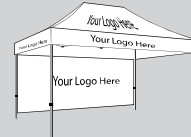
- PROOF IS OK (NO CORRECTIONS)
- PROOF IS OK WITH CORRECTIONS OR CHANGES (No further proof required)
- SEND REVISED PROOF VIA FAX OR E-MAIL

APPROVED BY _____ DATE _____
Once proof is approved. This is non-cancellable

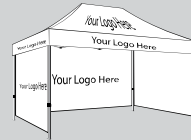
Other Accessories
ASK YOUR SALES REP.
for more information
on these fantastic accessories
800.676.7463



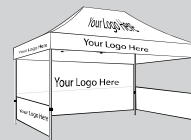
Canopy & Flags



Frame & Top with 1 Sidewalls



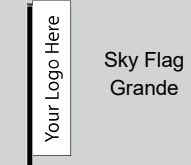
Frame & Top with 3 Sidewalls



Frame & Top With 1 Sidewall & 2 Railskirts



Table Cover



Sky Flag Grande



Eye Catcher Wing Grande